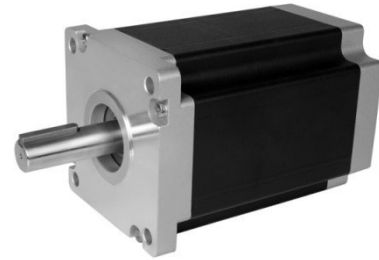


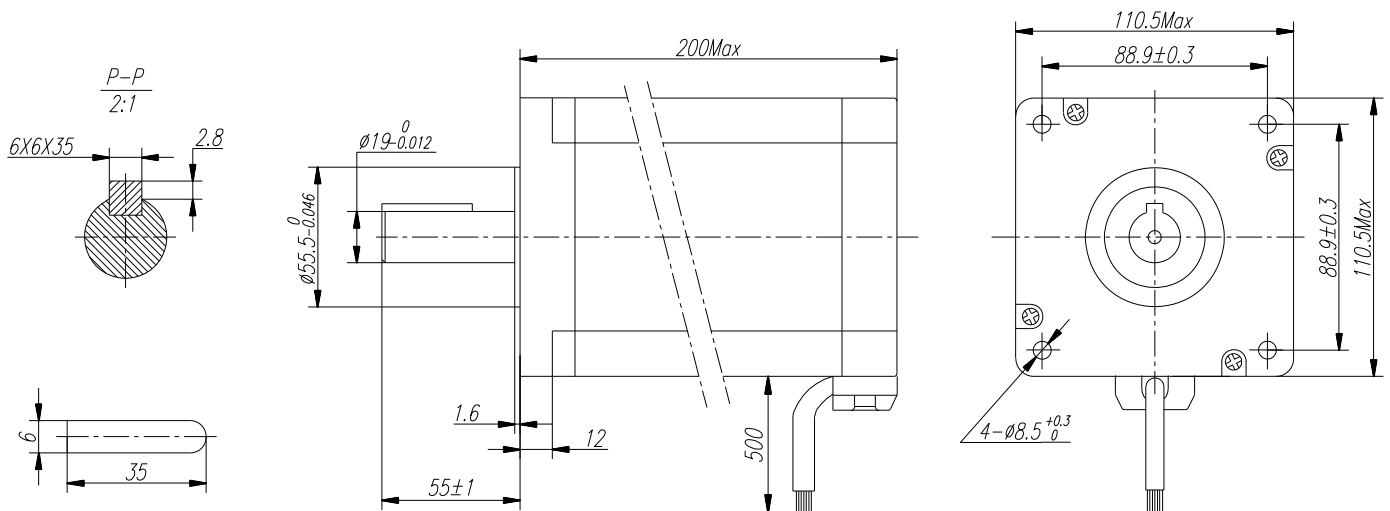
Step Angle	1.8°
Step Angle Accuracy	±5% (full step, no load)
Resistance Accuracy	±10%
Inductance Accuracy	±20%
Temperature Rise	80 °C Max.(rated current, 2 phase on)
Ambient Temperature	-20 °C ~ +50 °C
Insulation Resistance	100 MΩ Min., 500VDC
Dielectric Strength	1800VAC, 1s, 5mA
Shaft Radial Play	0.02 Max. (450 g-load)
Shaft Axial Play	0.08 Max. (920 g-load)



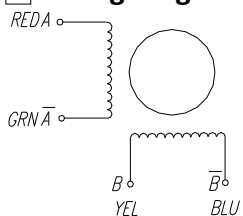
Specifications

Model	Current	Resistance	Inductance	Holding Torque	Detent Torque	Rotor Inertia	Bi/Unipolar	Weight	Length
	A/∅	Ω/∅	mH/∅	N.m	N.cm	kg.cm ²	# of Leads	kg	mm
SLP4279 800 4AD00	8.0	0.65	13.5	29.0	65.5	25.0	Bi (4)	12.0	200

Mechanical Dimension



Wiring Diagram



Torque Curve

