



## ▶ Linear actuators

### 7220



COMPACTNESS



ROBUSTNESS



LONG LIFETIME

- Max. Force..... 35 N
- Size..... 39.5 x 39.5 mm
- Max. Travel..... 22.2 / 63.5 mm
- Weight..... 135 g
- Increment/step.... 0.0254 mm (0.001")

The reliability of the actuator allows to use under extrem conditions where compact dimensions and precision are required.

### ▶ Technical data

	Part N°	Phase resistance [Ω]	Phase inductance [mH]	Phase current [A]	Max. force [N]	Nominal power [W]
Unipolar	7220-4-10	10	6.5	0.5	35	5

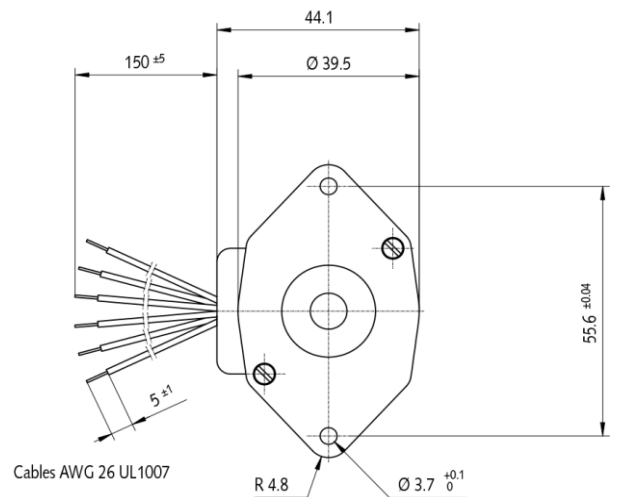
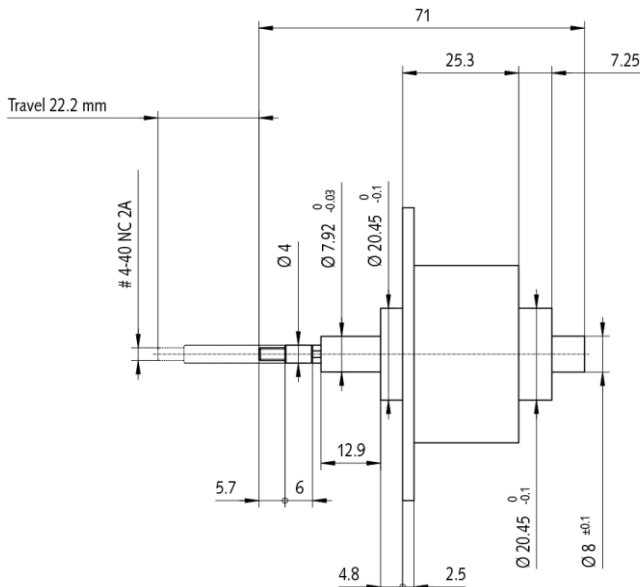
Max. travel length with antirotational device: 22.2 mm

7220R012 : Max. travel length without antirotational device: 63.5 mm

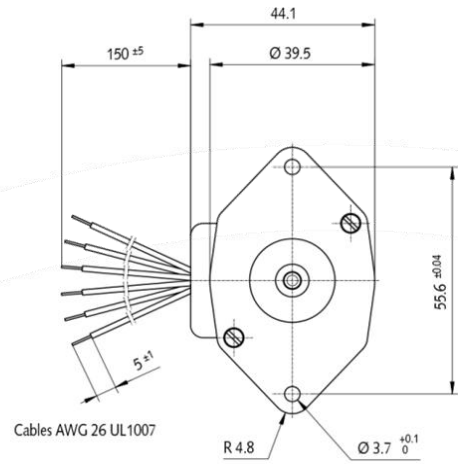
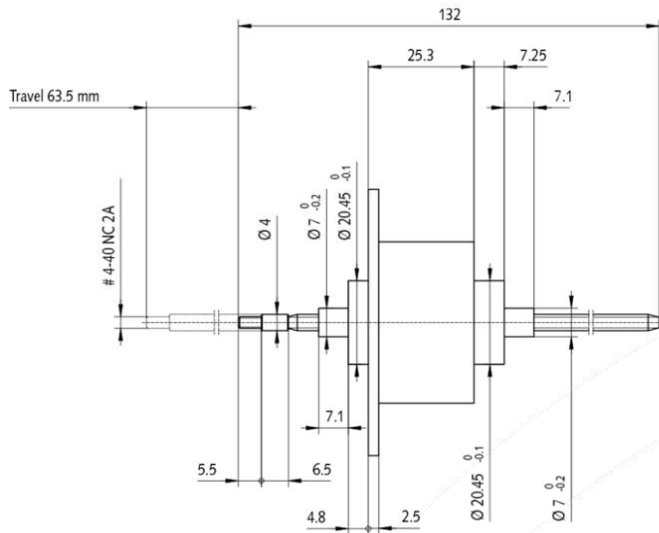
### ▶ Dimensions

Drawing not to scale. All dimensions in mm.

- With antirotational device (captive shaft)

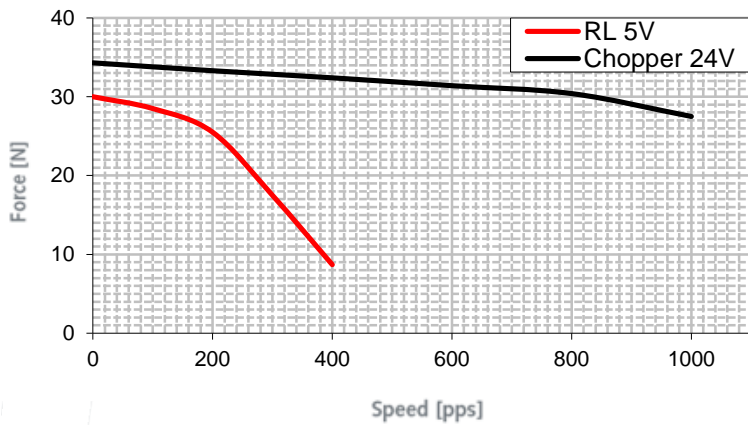


- Without antirotational device (non captive shaft)



## ► Dynamic characteristics

- 7220-4-10



[pps] = pulses per second

## ► Working conditions

Insulation Class .....	E 120° C
Protection .....	DIN 40050
	IP 30
Test Voltage .....	500 VAC