

SONCEBOZ

► **Hybrid stepper motor**

6540-18



ROBUSTNESS



HIGH PROTECTION DEGREES



ACCURACY

- Step angle..... 1.8°
- Size 42 x 42 mm
- Weight 300 g
- Holding torque ... 240 mNm

The hybrid stepper motor comes into its own where torque at low speed, positioning, and accuracy are determining factors.

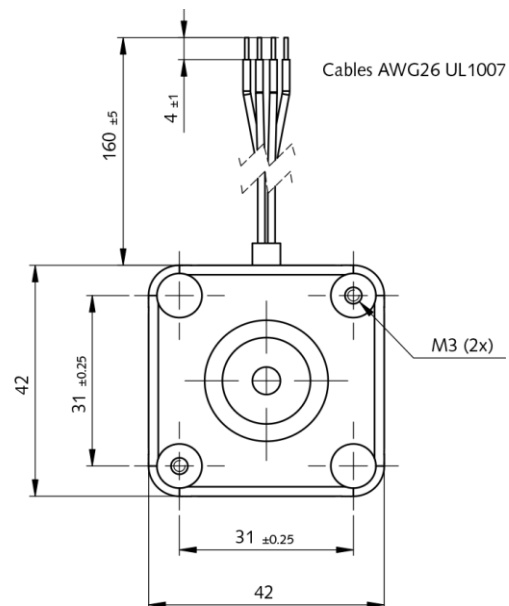
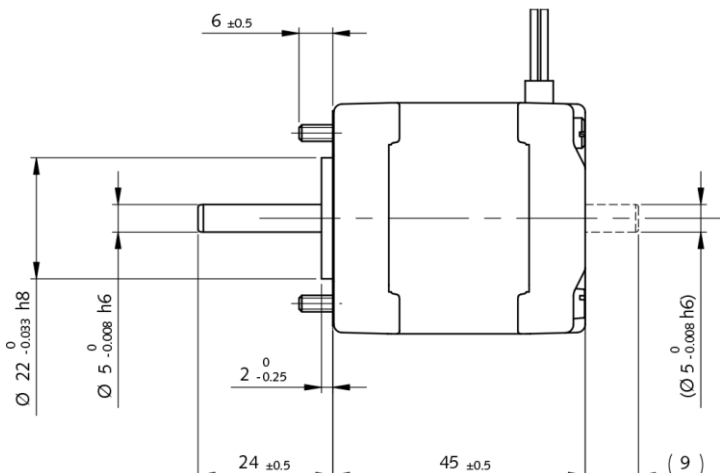
► **Technical data**

	Part N°	Phase resistance [Ω]	Phase inductance [mH]	Phase current [A]	Holding torque [mNm]	Nominal power [W]
Bipolar	6540-18-2-2.5	2.5	4	1.25	240	7.8
	6540R314					

Steps/rev.	200
Step accuracy	± 5%
Rotor inertia	35 gcm²
Insulation class	B 130 °C
Protection	DIN 40050 IP 30
Test voltage	500 VAC
Detent torque	14 mNm

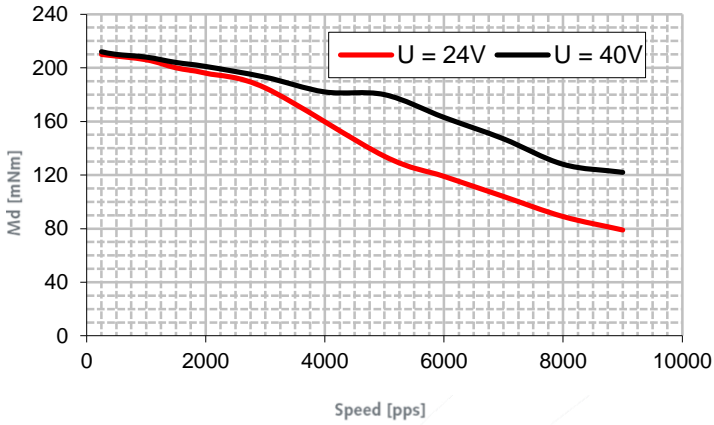
► **Dimensions**

Drawing not to scale. All dimensions in mm.

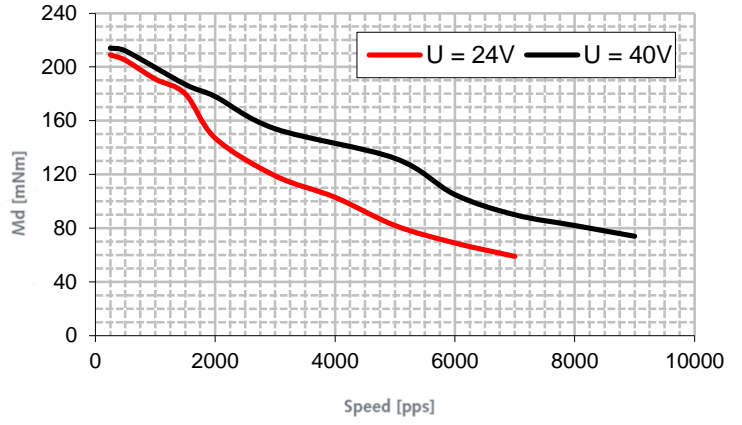


► Dynamic characteristics

• 6540-18-2-0.75



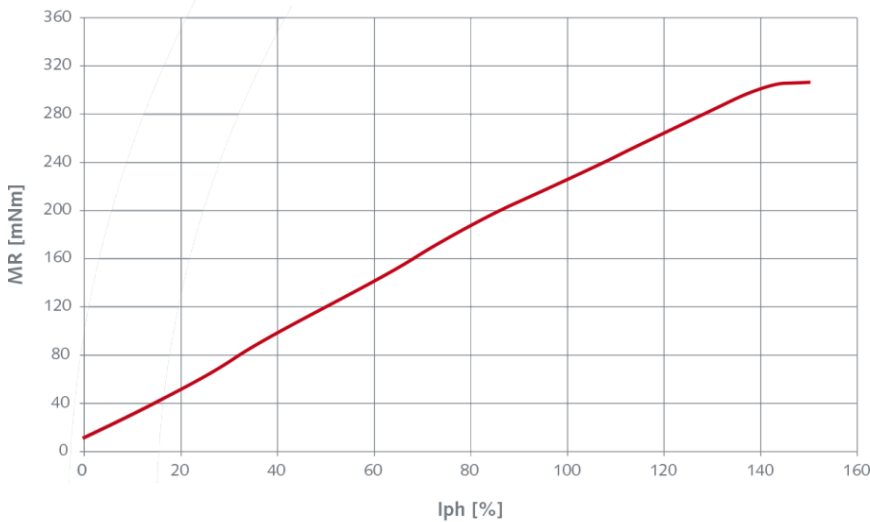
• 6540-18-2-2.5



[pps] = pulses per second

► Static characteristics

• 6540-18-2 Series



► Electrical Interface

• Bipolar

